

3DS.COM/SOLIDWORKS © Dassault Systèmes | Confidential Information | 2/4/2017 | ref.: 3DS_Document_2016

SOLIDWORKS WORLD 2017

SOLIDWORKS Tips and Tricks

Phil Sluder
Mechanical Engineer
TriAxial Design and Analysis, Inc.

sluder@triaxialdesign.com
(619) 787-8725

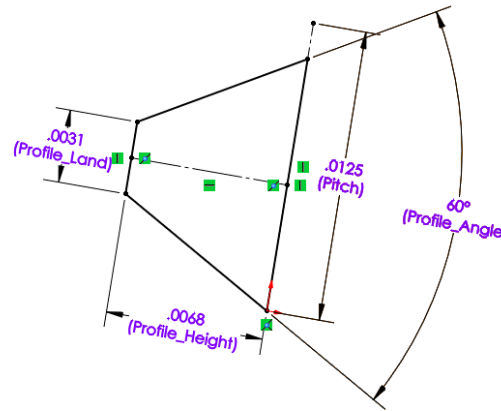
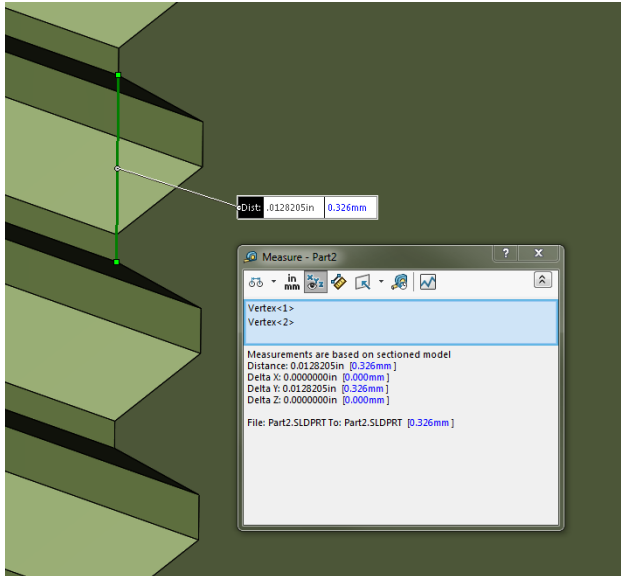


A History of SolidWorks Tips and Tricks

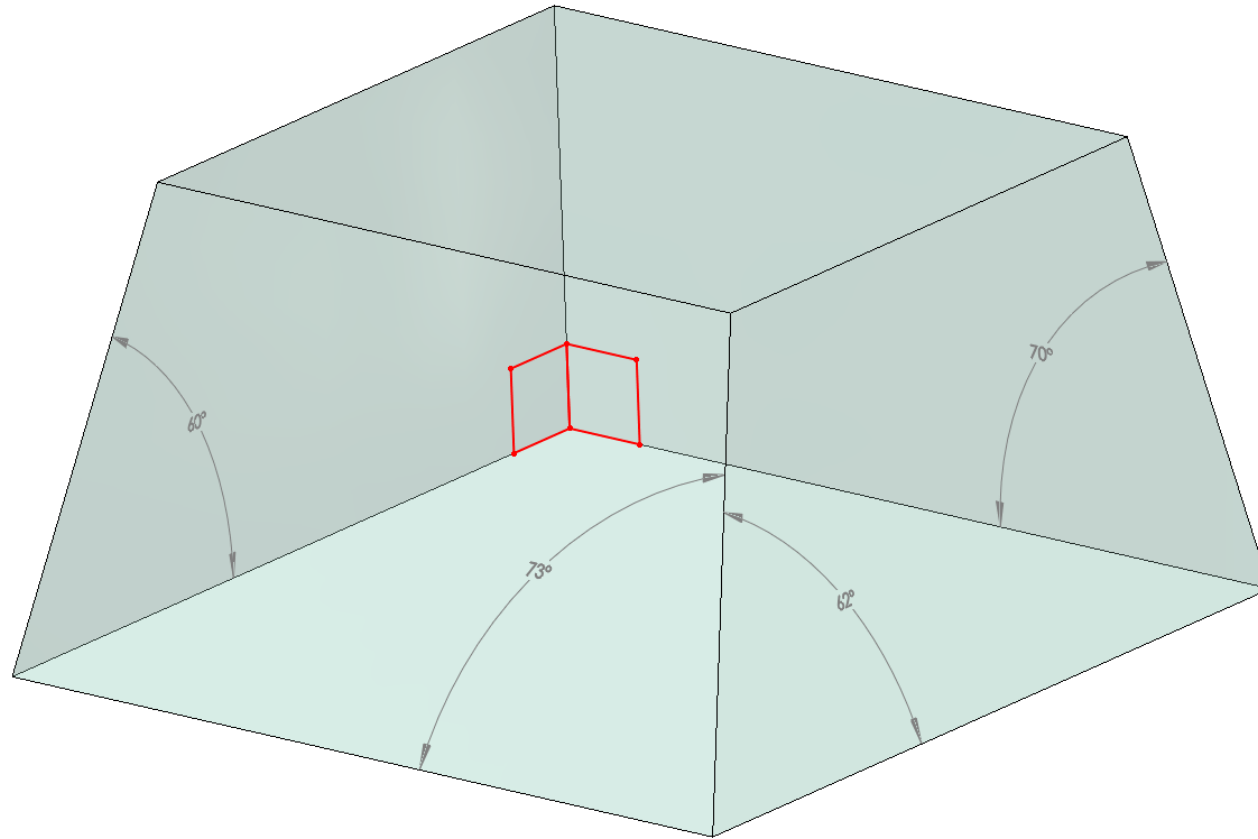


Custom Thread Profiles

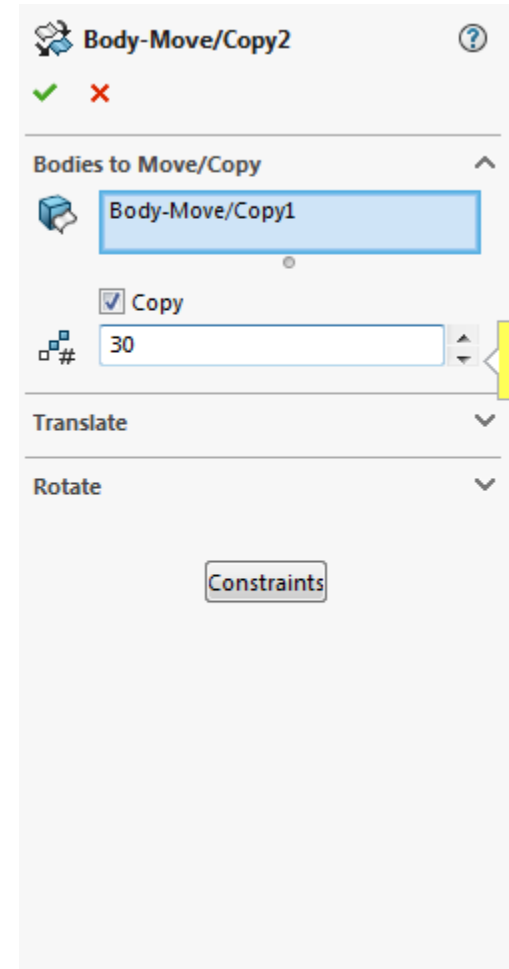
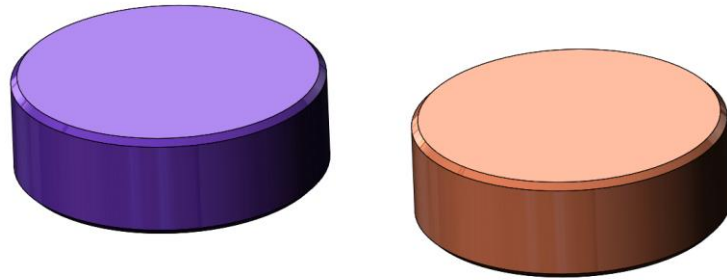
C:\ProgramData\SOLIDWORKS\SOLIDWORKS 2017\Thread Profiles



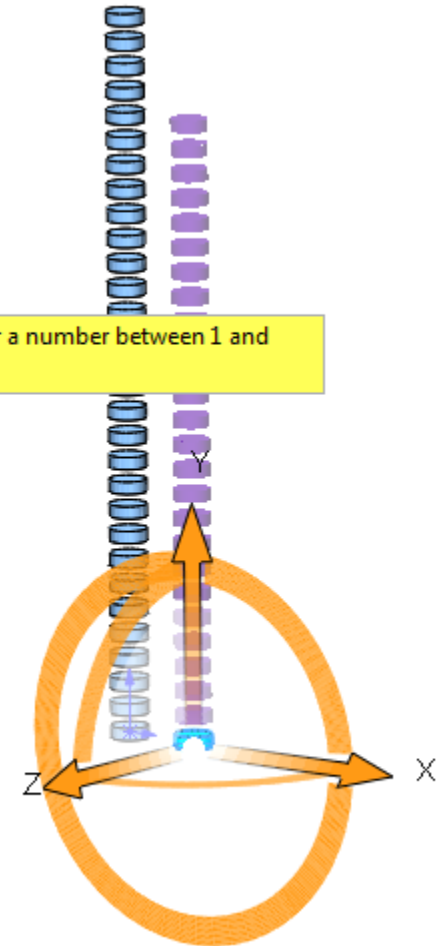
Selection Manager and CSWE Weldment Trap



Please enter a number between 1 and 25...

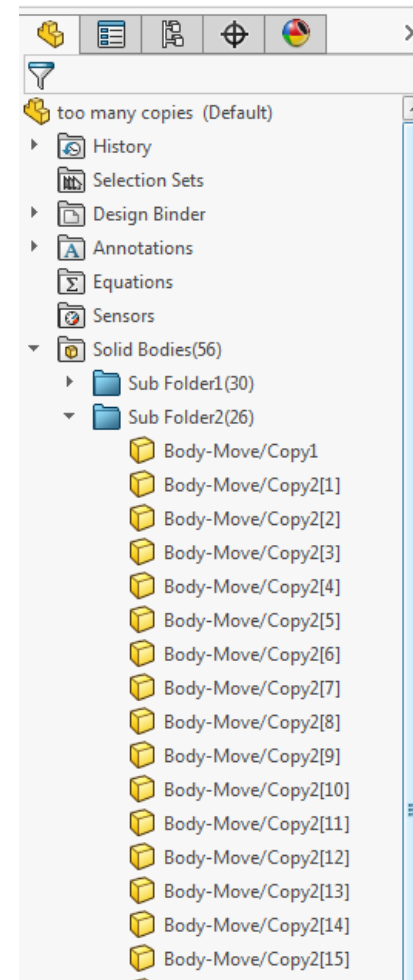


Please enter a number between 1 and 25

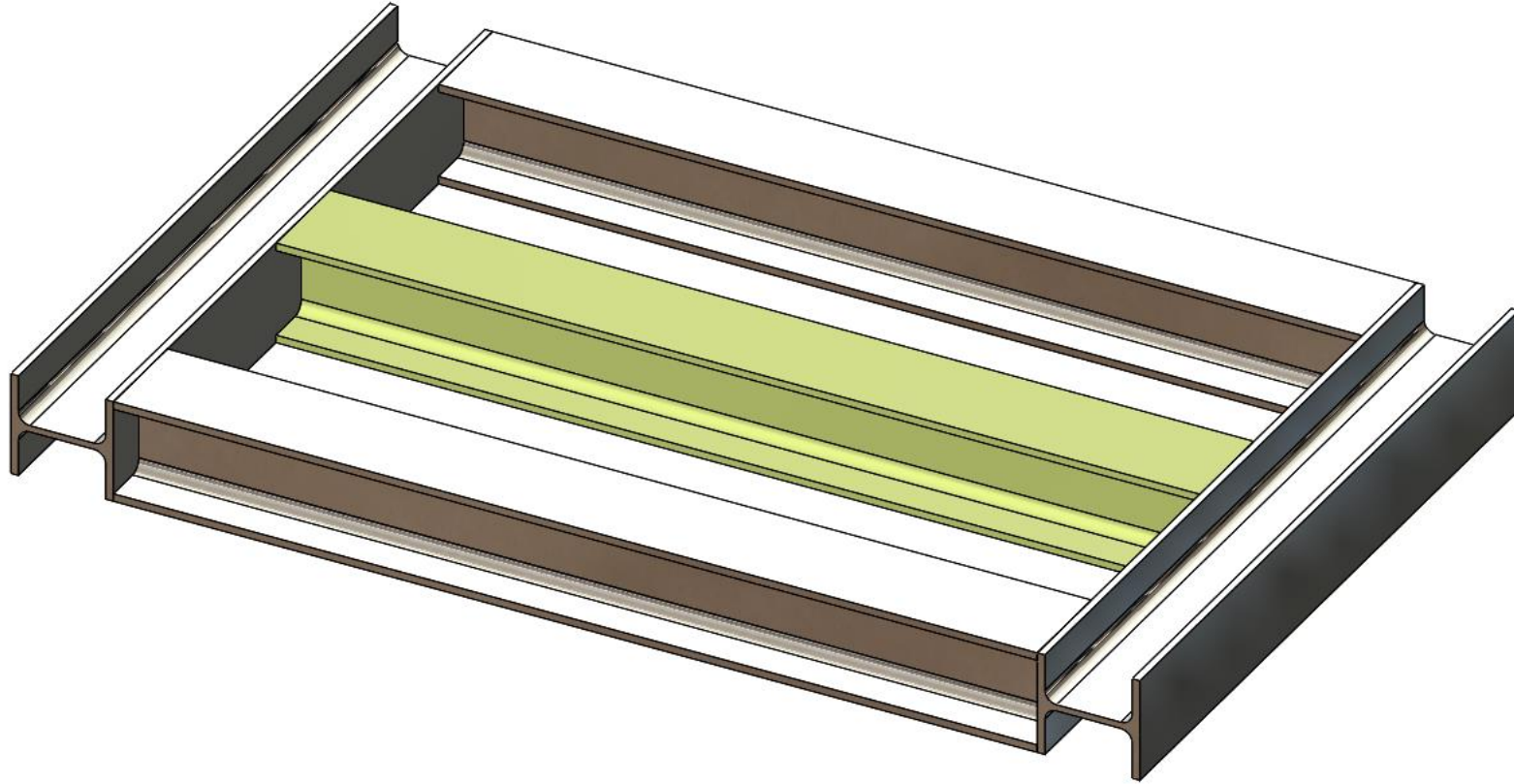


Solid Bodies Sub Folders

And to answer your next question... Yes

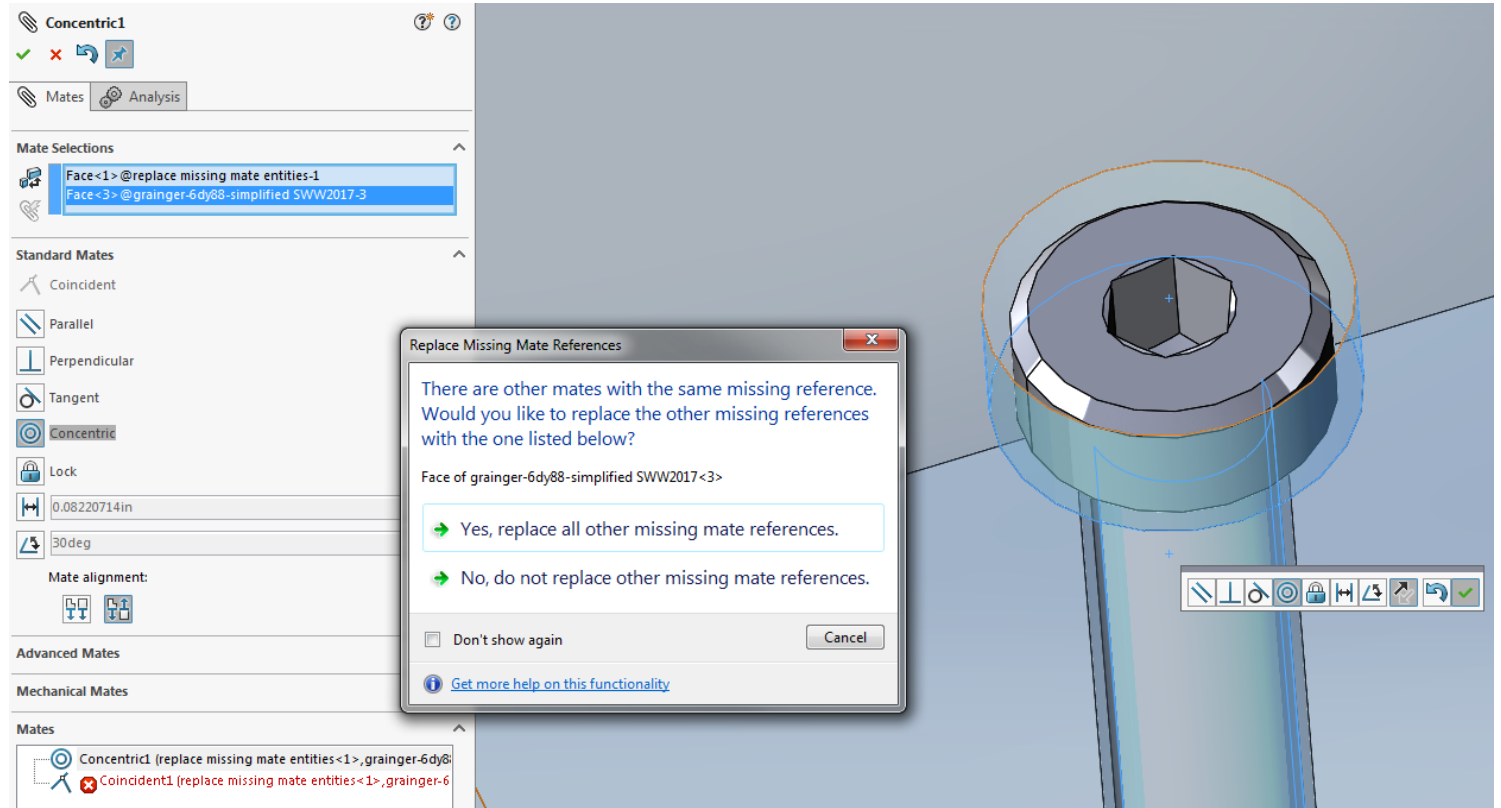


Which of These Things is Not Like the Others?

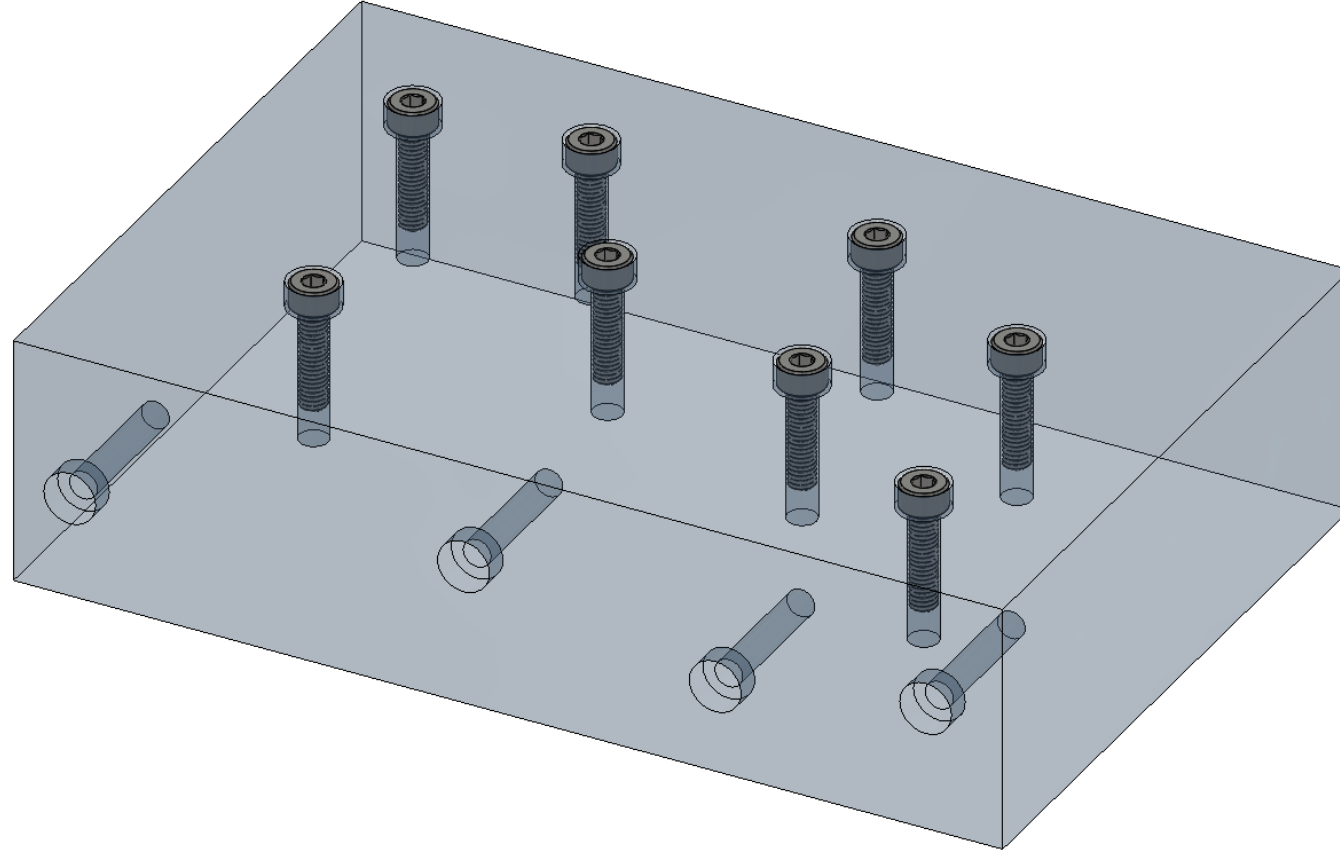


Replace Imported Fasteners in an Assembly

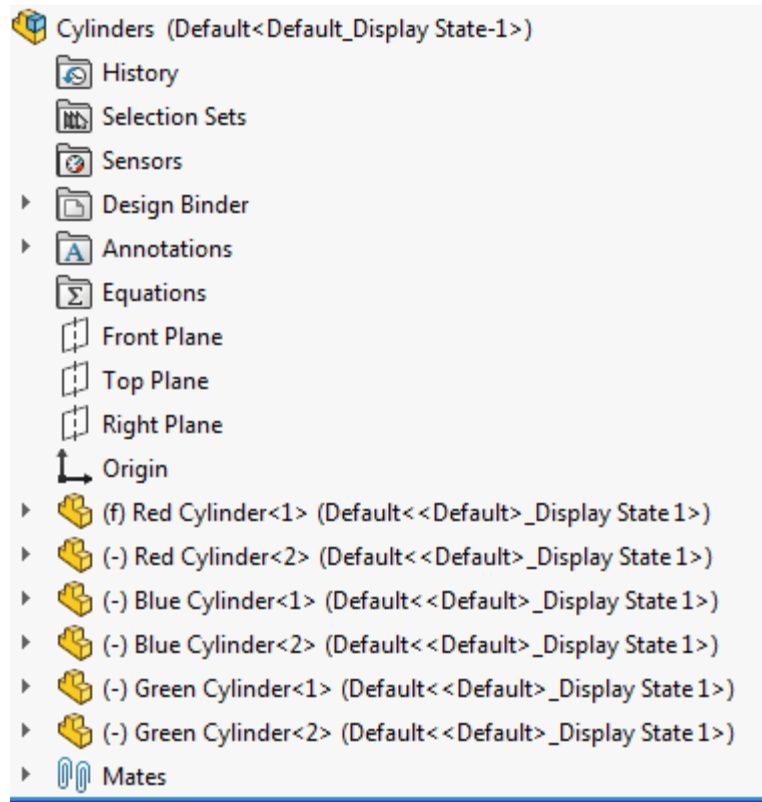
- Replace all instances of component, ignoring missing references
- Replace missing mate references
- Editing hole wizard default sizing (changes all holes in the feature)
- Save and use Hole Wizard Favorite (inside part file and global)



Online Fastener Download Manipulation

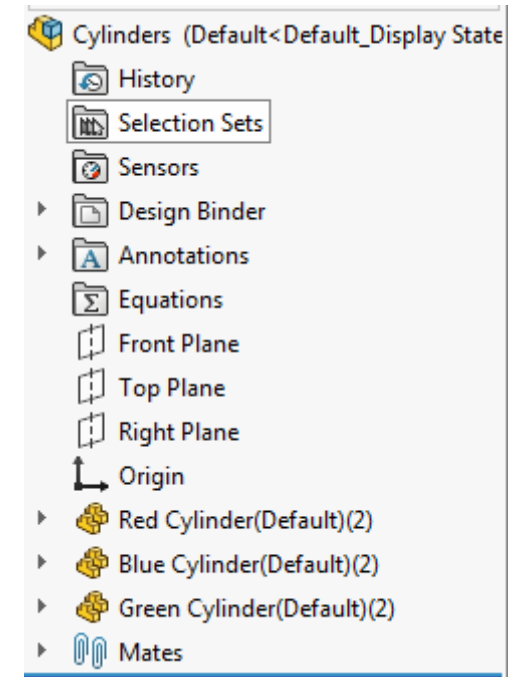


Group Component Instances



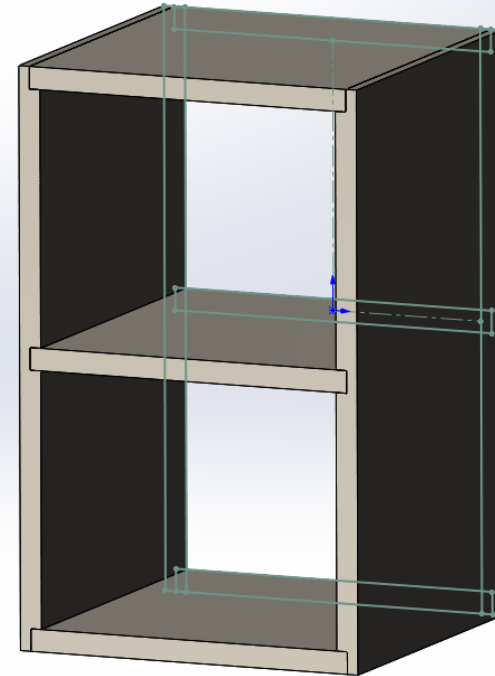
Tree Display,
Group Component Instances

Note tree order before and
after grouping.



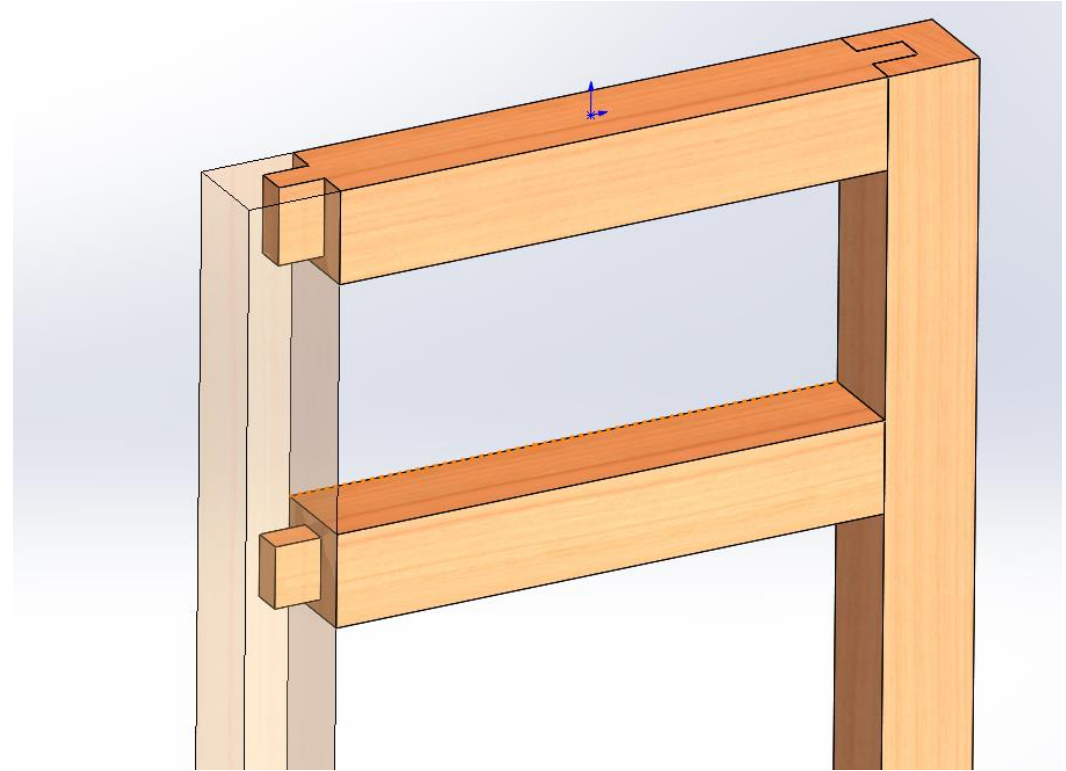
Shared Sketches

- Layout sketch
- Multiple contour sketches
- Shared sketches
- Multiple solid bodies



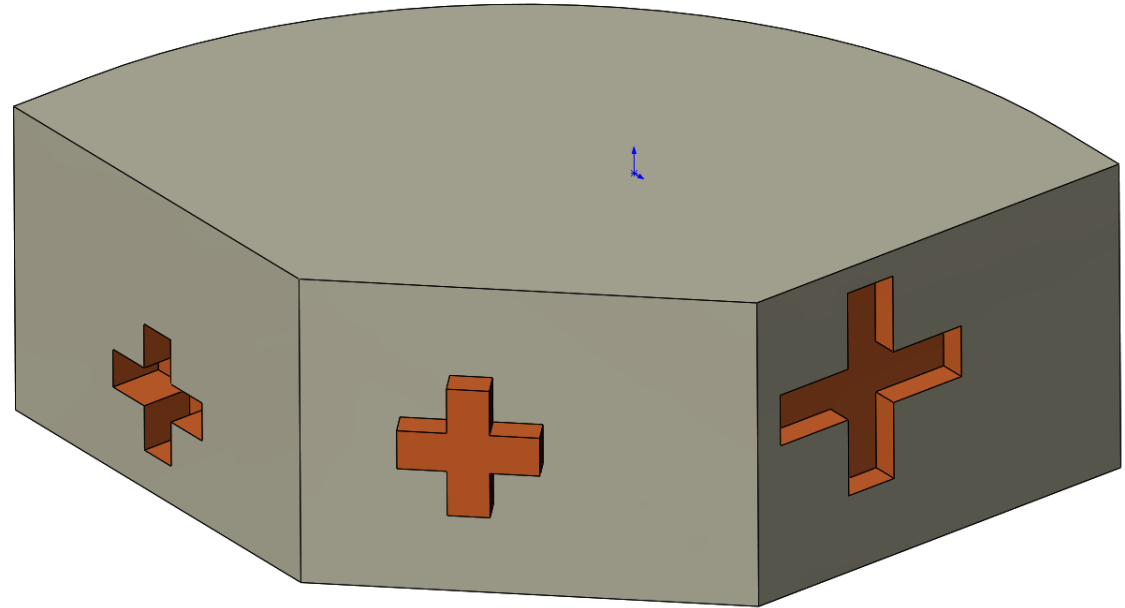
Multiple Closed Contours / Flip Side to Cut

- Layout sketch
- Multiple contour sketches
- Multiple Closed Contours, and flip side to cut
- Shared sketches
- Multiple solid bodies



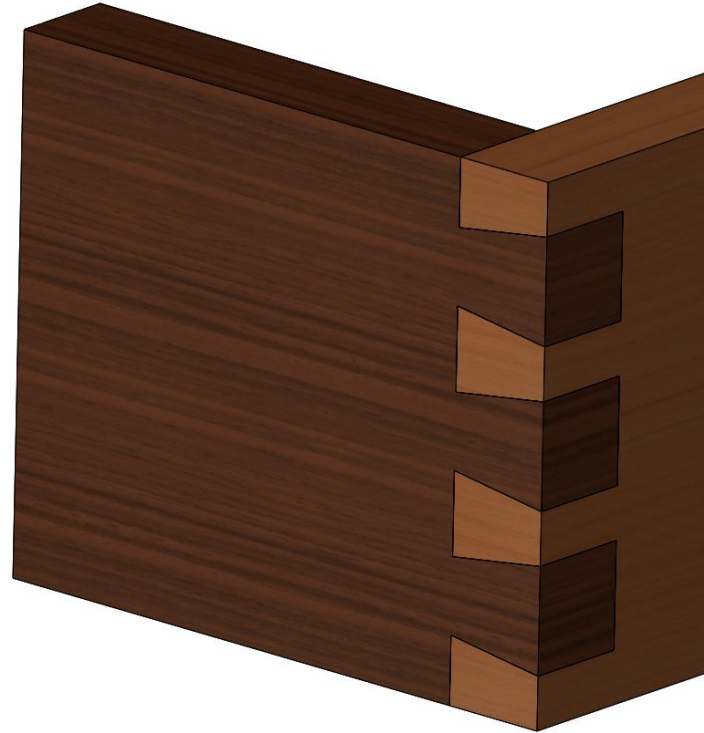
Copied and Derived Sketches in Parts

- Base sketch
- Multiple contour sketches
- Derived sketches in parts
- Copied sketches in parts



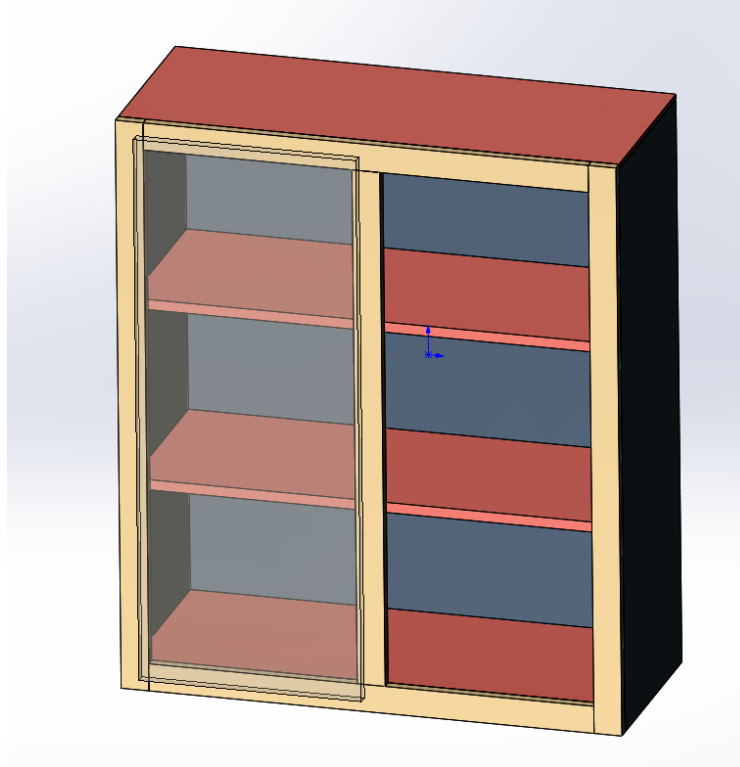
Derived Sketches in Assemblies

- Layout sketch
- Multiple contour sketches
- Edit part in assembly
- Derived sketches in assembly



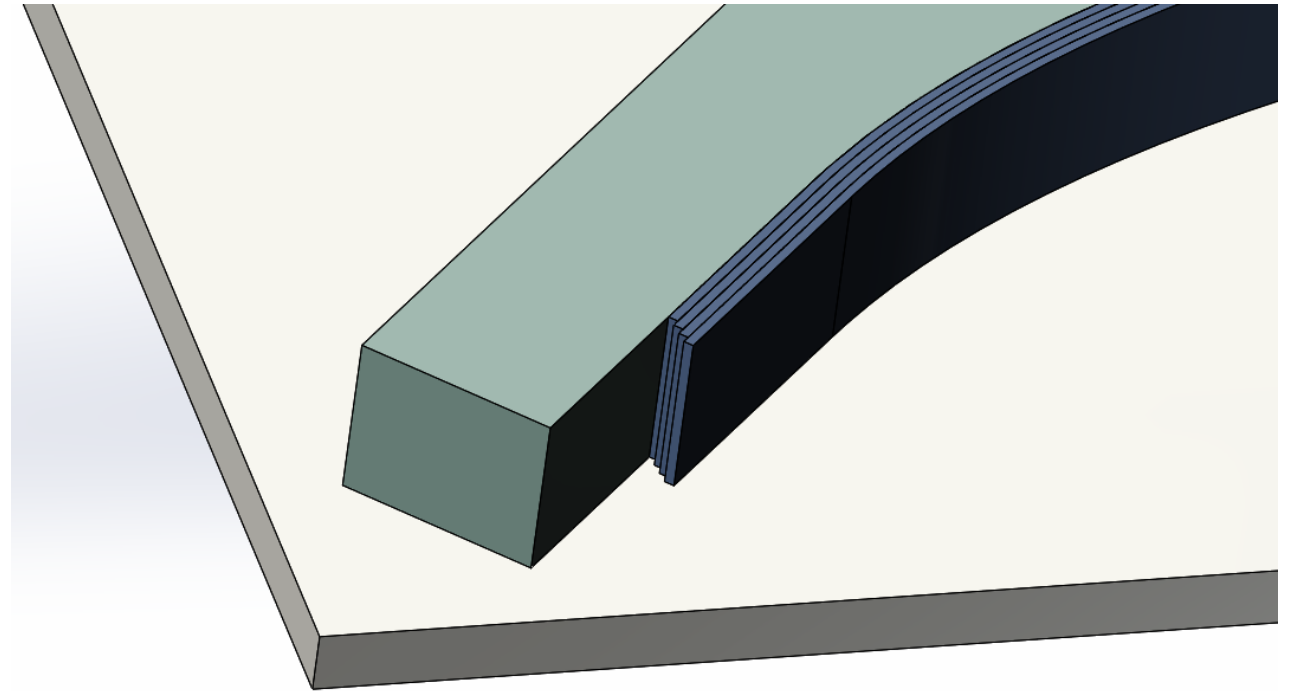
Good example of Shared Sketches

Layout sketch
Multiple contour sketches
Shared sketches
Multiple solid bodies



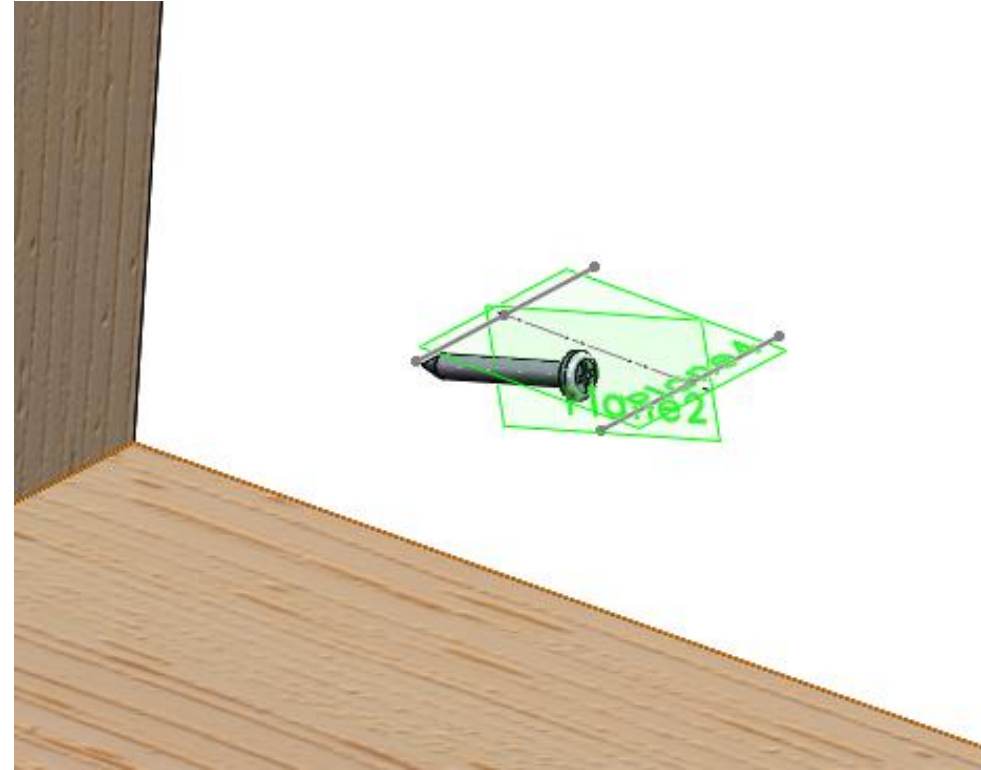
Bending / Laminating Curved Shapes

- Spline Length
- Equal Length (Line and Spline)
- Define Overall Length Graphically
- Thicken Surface



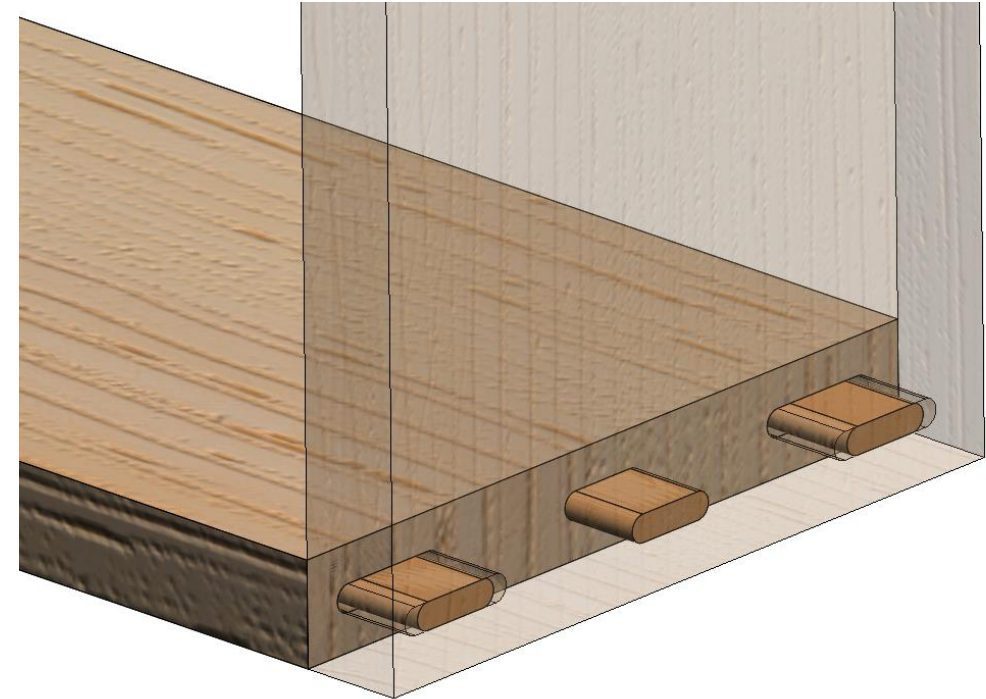
Smart Components for One Component

- Smart Features for Only One Part in Assembly (Pocket Screw Good Example)
- Inserting Smart Components
- Inserting Smart Features



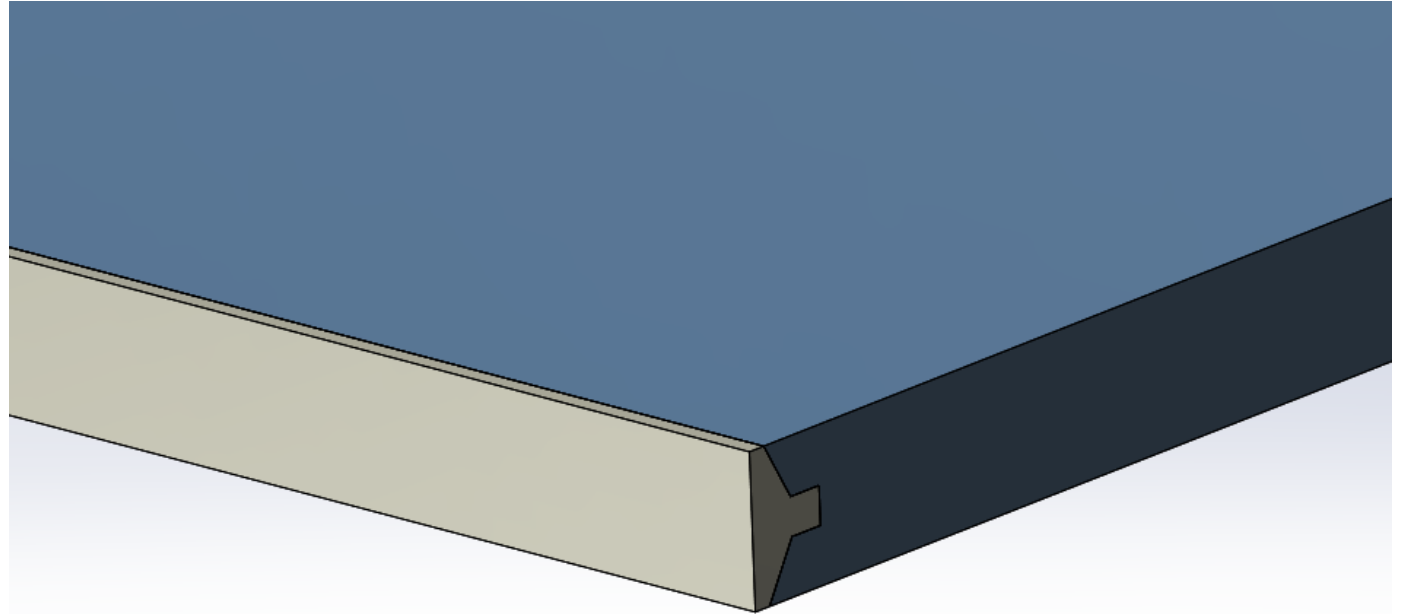
Assembly Feature for Multiple Components

- In-Context Assembly Features for Multiple Parts in Assembly (Loose Tenons – Mortise Good Example)
- Patterning Components (Seed Only)
- Converting multiple sketches into one assembly feature sketch



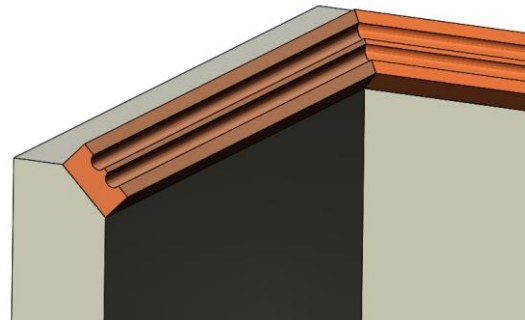
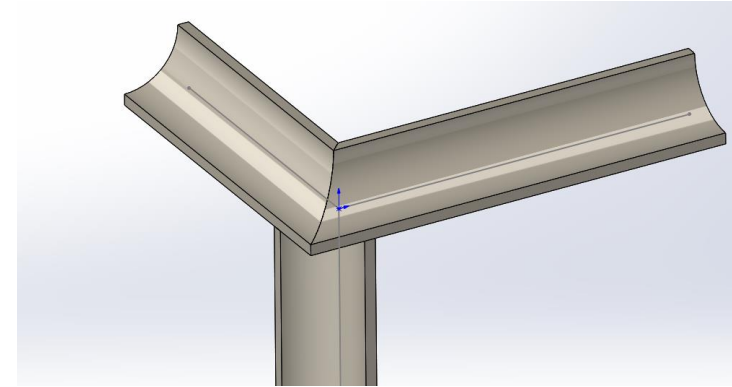
Cut Sweep / Boss Sweep / Split

- Composite Curve
- Split and Intersection
- Drawing View of Individual Body or Groups of Bodies



Weldments / Custom Molding Profiles

- Merge Miter Trimmed Entities
- Creating Custom Molding Profile
 - Save *.LFP in “Weldment Profiles” Folder
- Modifying Profile
- Location
- Rotation Angle
- Align



Scribe Instead of Split Line

And to answer your other question, the Santa Monica Pier is 14.2 miles from here...



Organizing Color Swatches

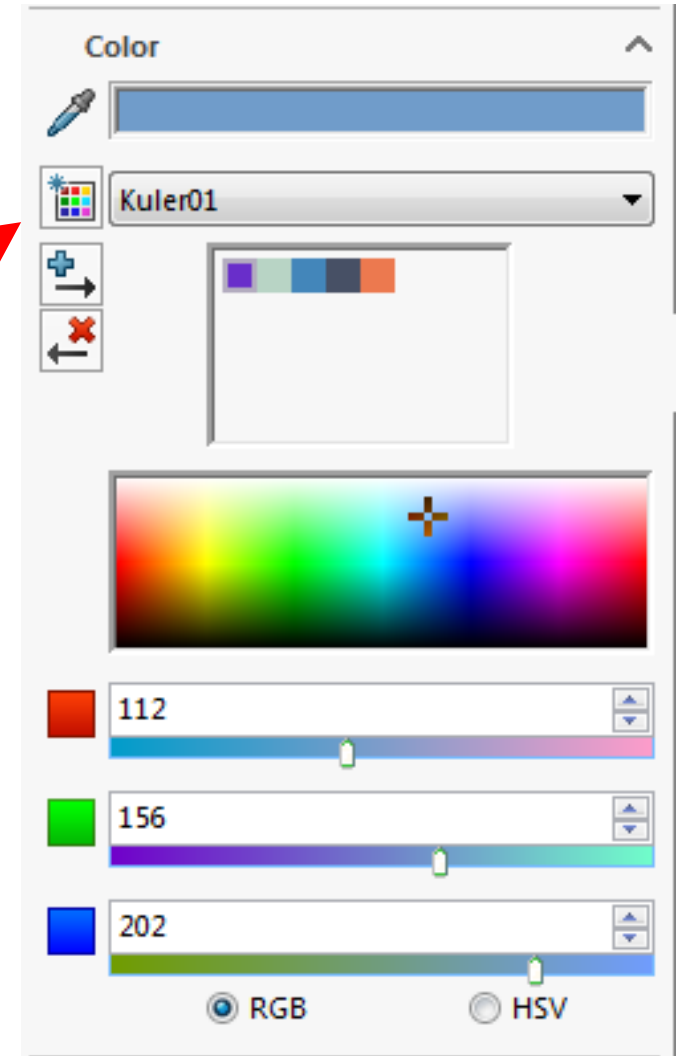
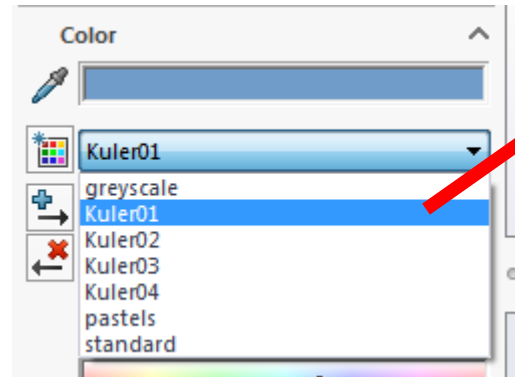
~~Colors~~

Sketch Colors ✓

Appearances ✓

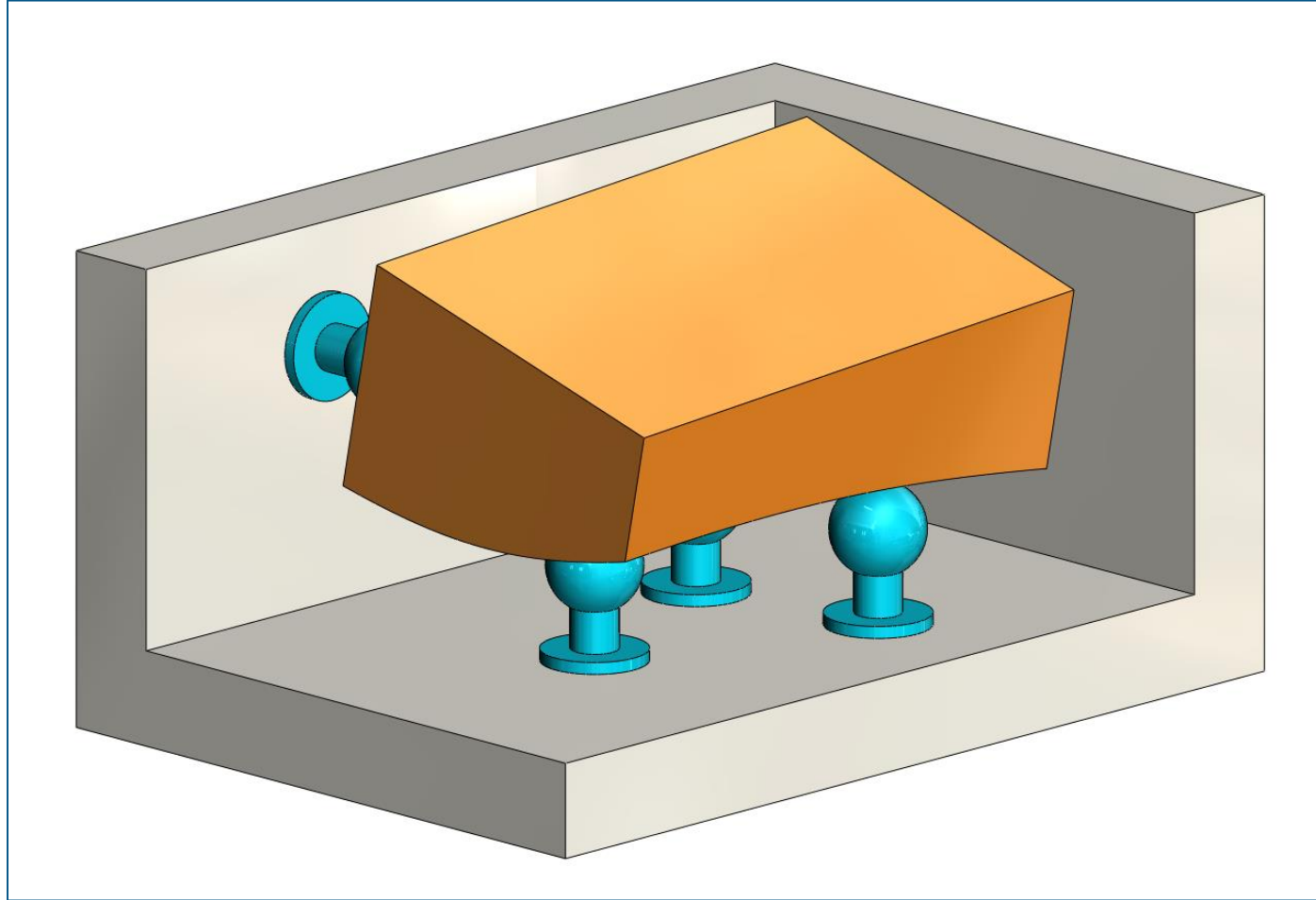
~~Appearance Swatches~~

Color Swatches ✓

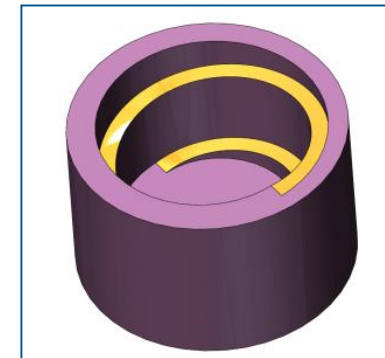
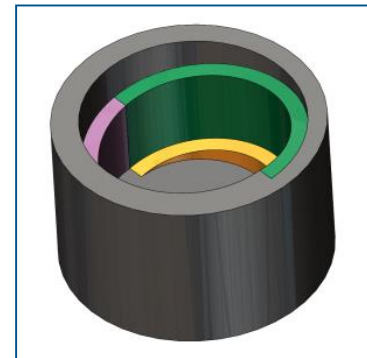
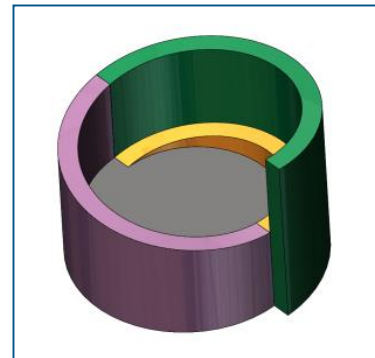
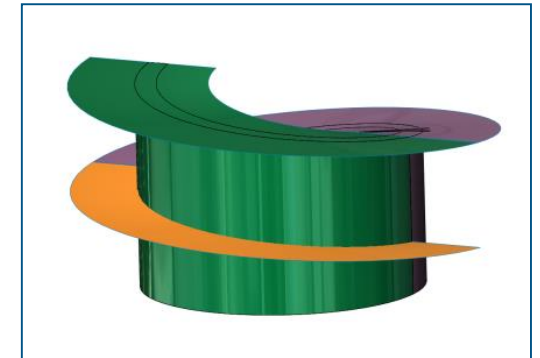
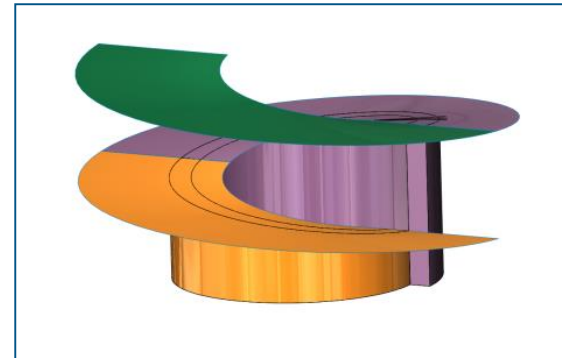
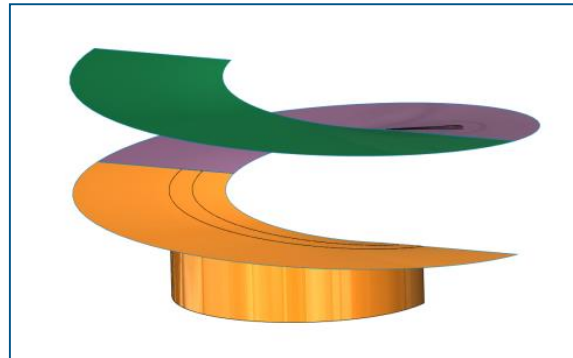
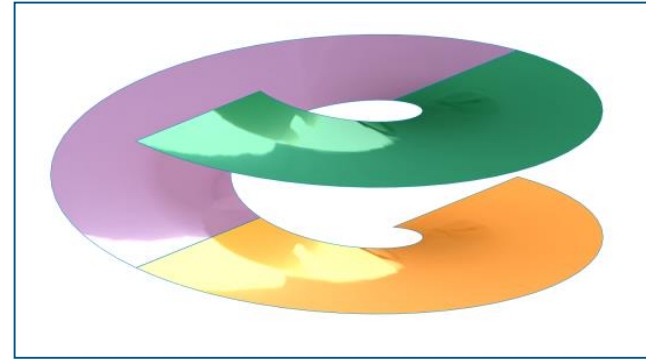


```
Kuler01.sldclr - Notepad
File Edit Format View Help
<?xml version="1.0"?>
<Colorswatch xmlns="http://www.solidworks.com/sldcolorswatch" displayName="Kuler01" version="2009.01">
  <Color RGB="692eca"/>
  <Color RGB="b8d4c5"/>
  <Color RGB="4386ba"/>
  <Color RGB="475065"/>
  <Color RGB="ec794f"/>
</Colorswatch>
```

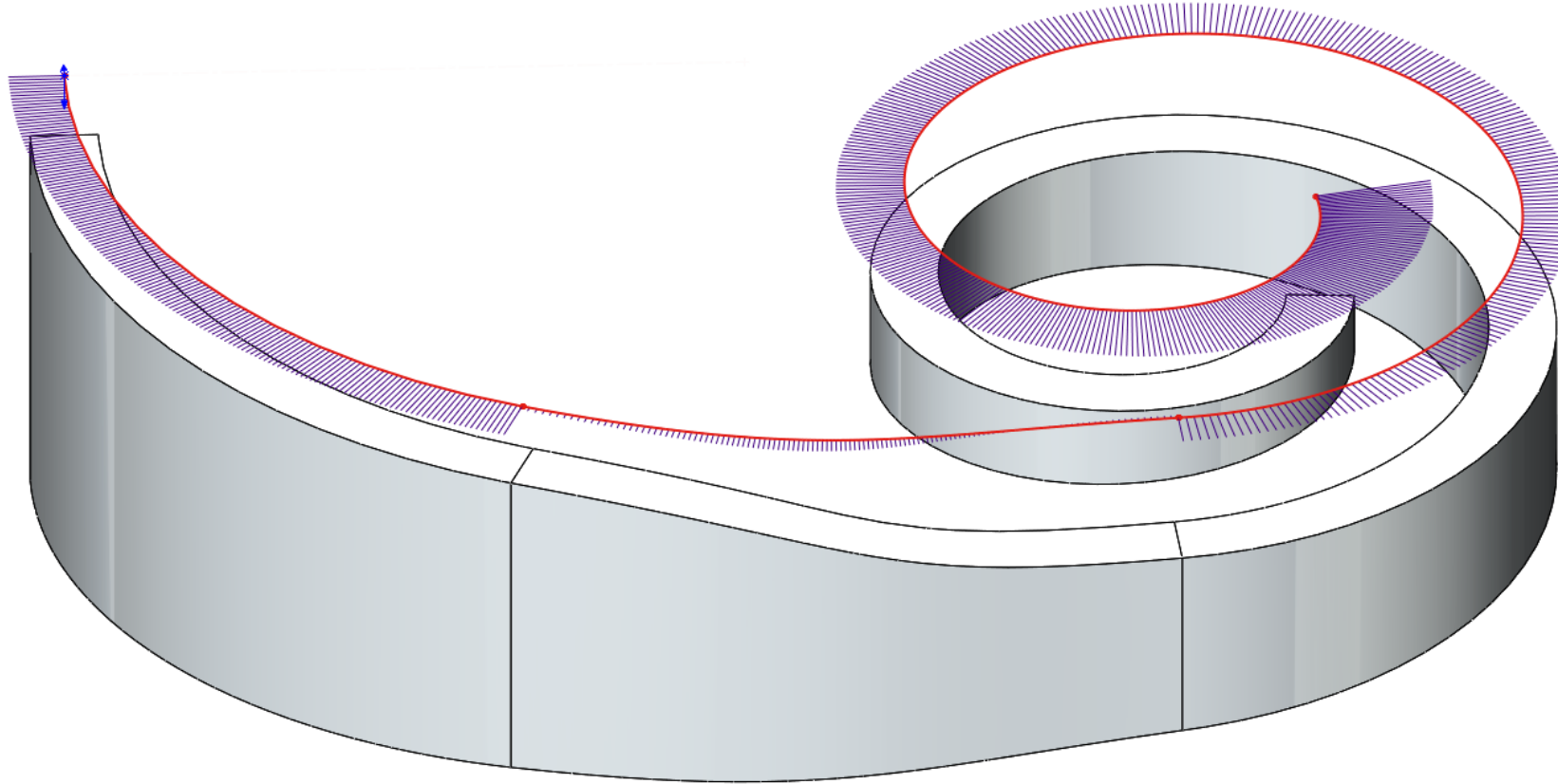
Fixtures with Tooling Balls



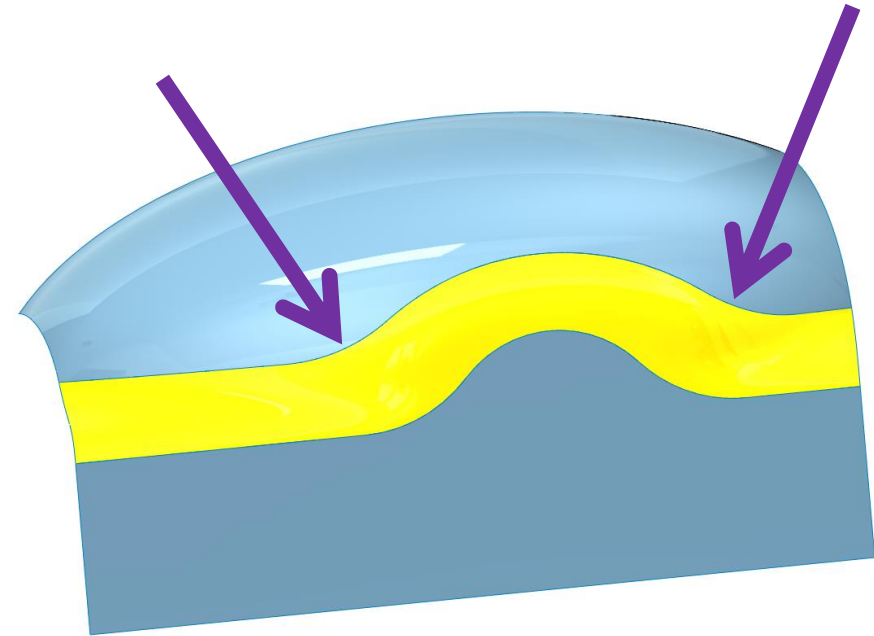
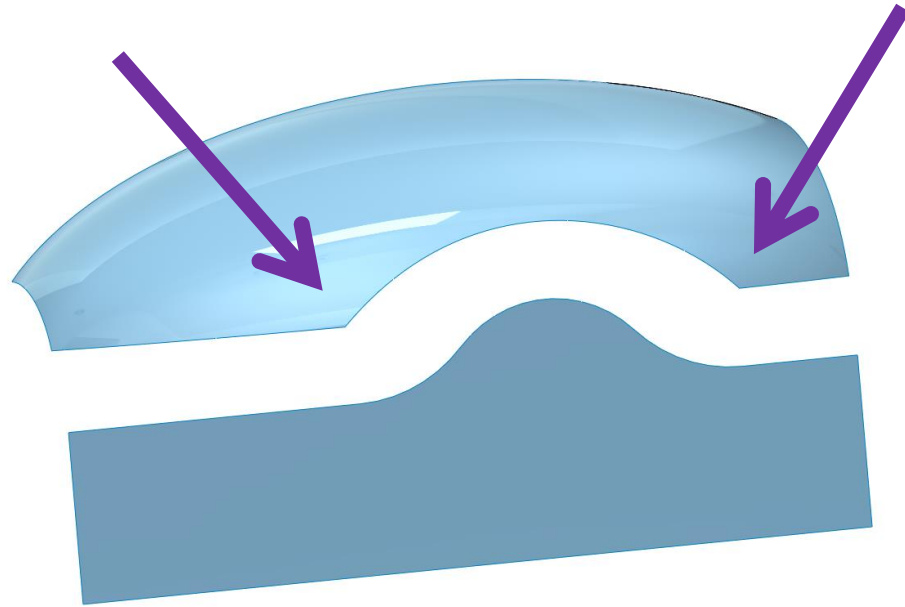
Bowl Feeder Geometry



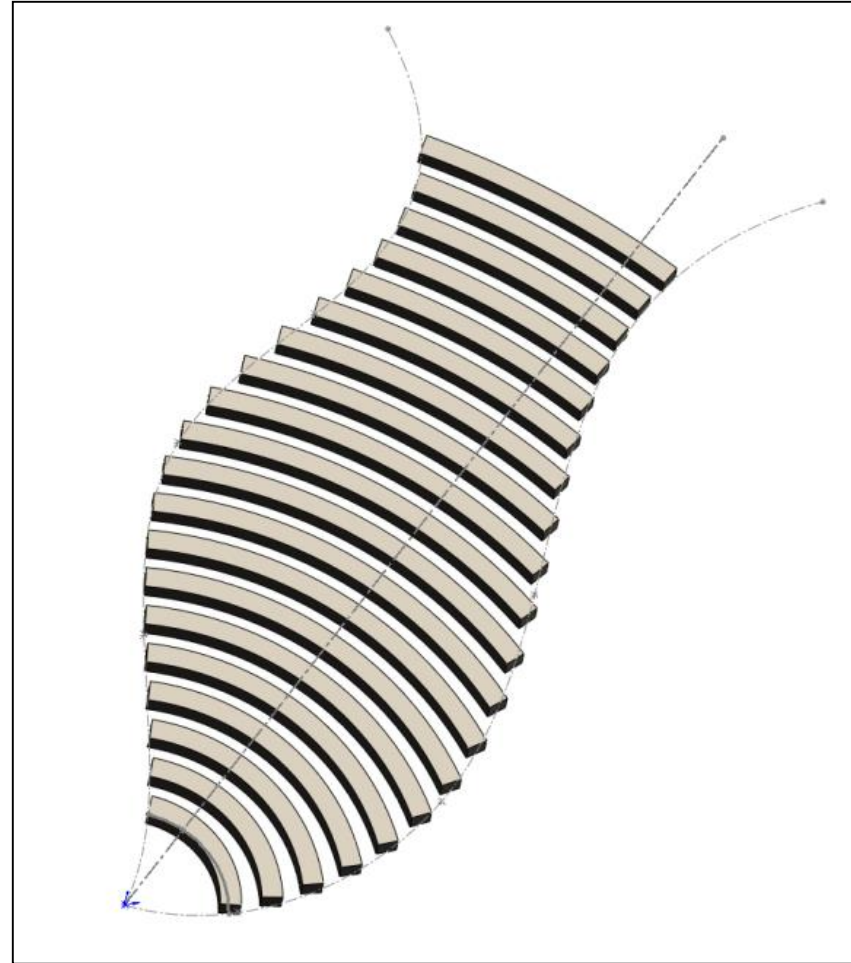
Three Sketch Wrap with Sketch Blocks



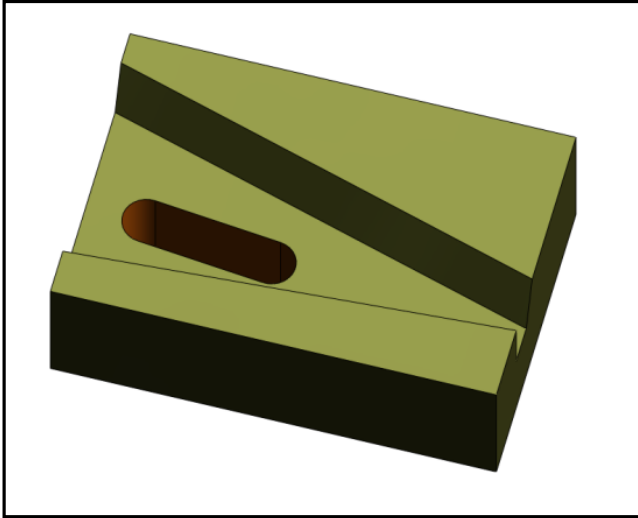
Radii on Edges of Surface



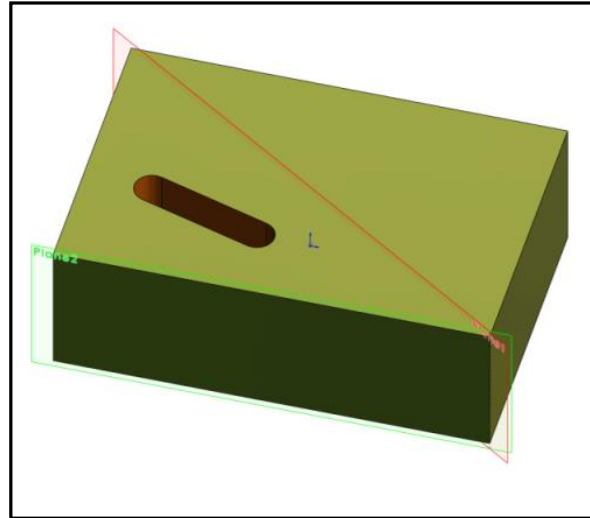
Vary Sketch with Multiple Solid Bodies



Symmetry...

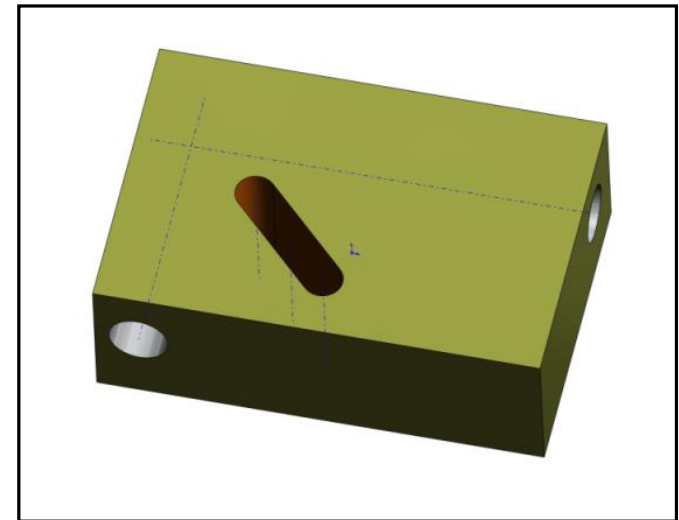


About Two Edges



About Two Planes

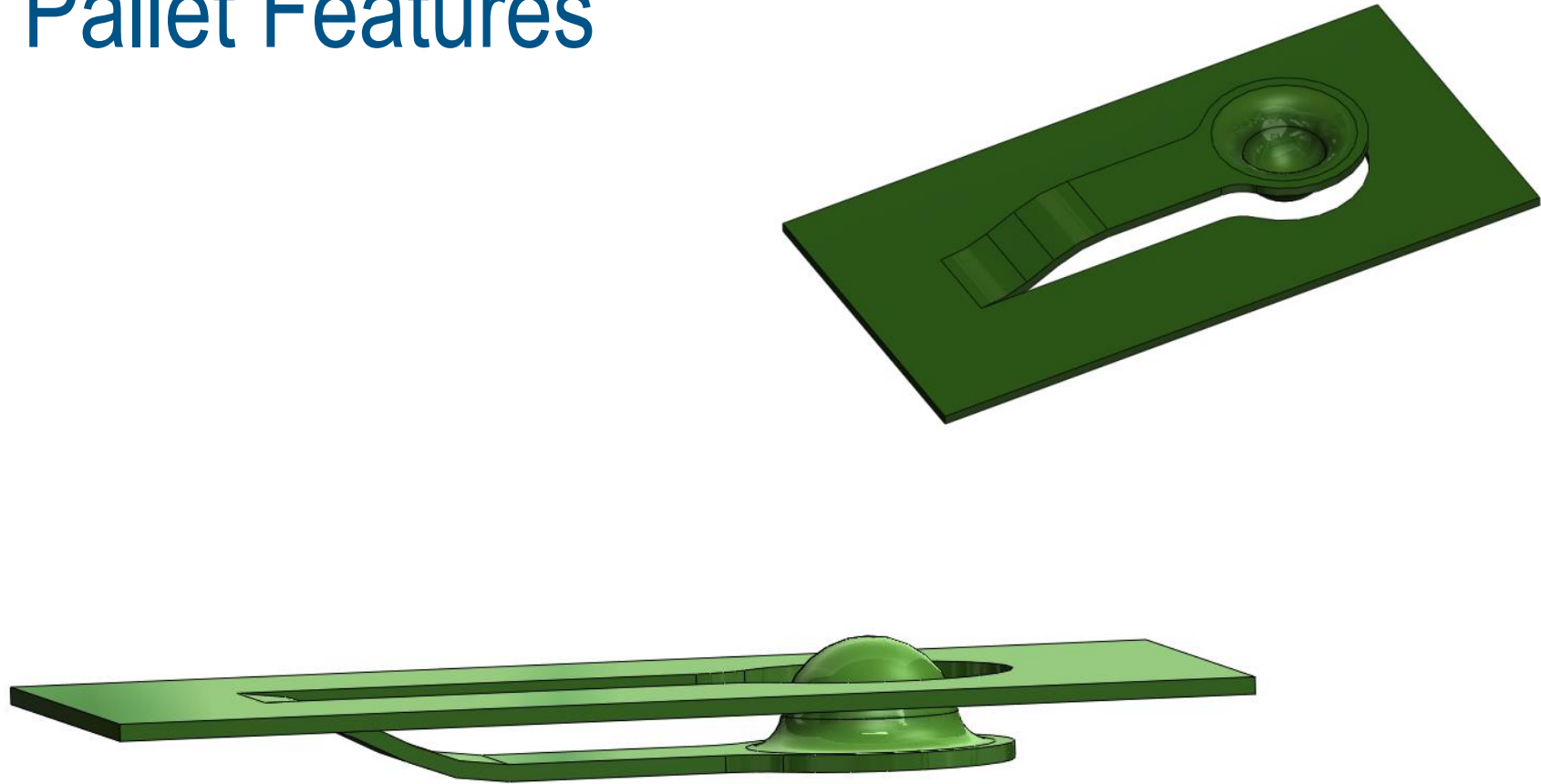
About Two Temporary Axes



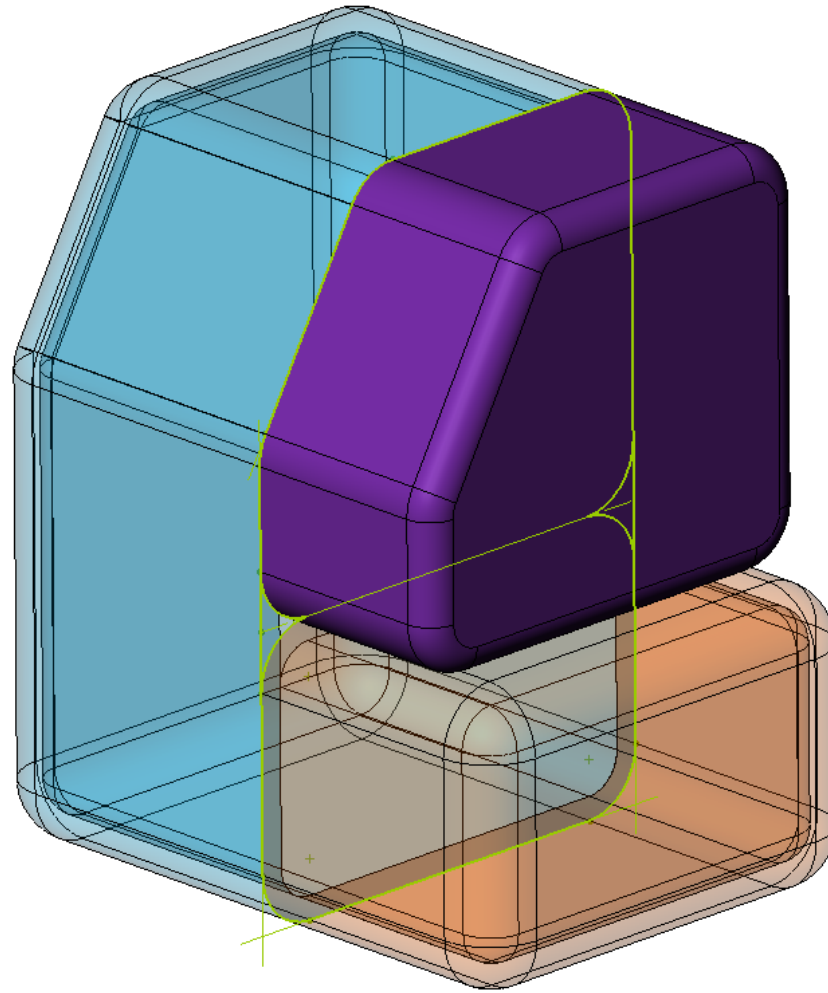
Flag Note v Balloon

1. Project is defined as developing alternative mechanism(s) to sense diameter of 18 syringe utilizing linear or rotary potentiometer (5-60cc).
2. Objectives include coordination of design with existing 18 lead screw positioning, reducing part count, and a compliant shaft seal for damping shaft movement.

Nested Pallet Features



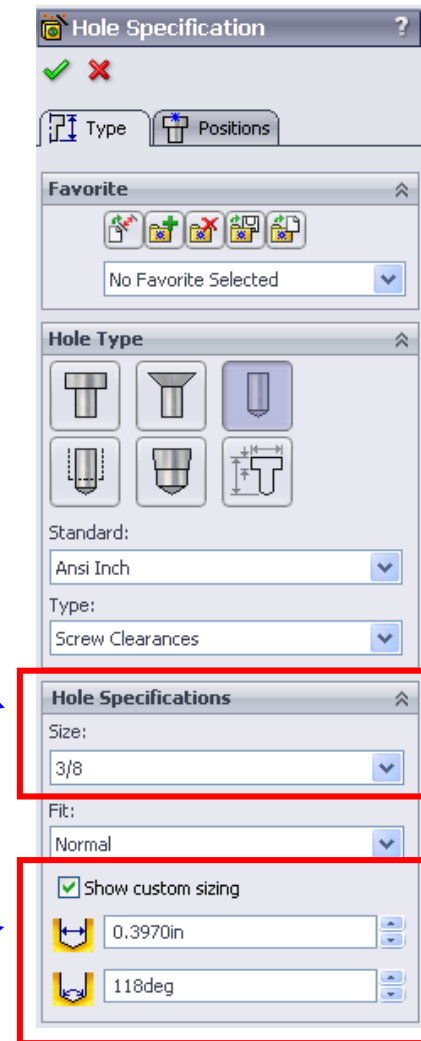
Multiple Assemblies from Layout Part



Hole Wizard Decimal Drill Size Display

Select here and use
up/down arrows to
change hole size

Watch decimal size
change in real time here



3DS.COM/SOLIDWORKS © Dassault Systèmes | Confidential Information | 2/4/2017 | ref.: 3DS_Document_2016

SOLIDWORKS WORLD 2017

SOLIDWORKS Tips and Tricks

Phil Sluder
Mechanical Engineer
TriAxial Design and Analysis, Inc.

sluder@triaxialdesign.com
(619) 787-8725

